

KS 1 / KS 3

TYPE

Voltage

Manuf. no.

Your service centre

.....

.....

.....

.....

Contents

| | page | |
|----------|--|----|
| 1 | General | |
| 1.1 | Warranty information | 3 |
| 1.2 | Transfer declaration | 4 |
| 1.3 | General safety instructions | 5 |
| 1.3.1 | Information and safety symbols | 6 |
| 2 | Description and Safety Device | 6 |
| 2.1 | Safety devices | 6 |
| 3 | Setting up and Basic Adjustment | |
| 3.1 | Setting up area | 7 |
| 3.2 | Initial Set-up | 7 |
| 3.3 | Installation | 7 |
| 3.4 | Basic Setting | 7 |
| 4 | Operation | |
| 4.1 | Operating controls | 8 |
| 5 | Care / Maintenance / Adjustment | |
| 5.1 | Cleaning of the coffee grinder | 9 |
| 5.2 | Maintenance and repair | 10 |
| 5.3 | Spare parts | 10 |
| 5.4.1 | Setting scale (adjustment) | 10 |
| 5.4.2 | Changing the scale setting | 11 |
| 5.5 | Replacing the grinding discs | 12 |
| 6 | Faults / action | |
| 6.1 | Action in event of a fault | 13 |
| 6.2 | Table with possible malfunctions | 13 |
| 6.3 | Thermal protector | 14 |
| 7 | Customer service | 14 |

1 General

Dear Customer,

We congratulate and thank you for purchasing a quality product. These operating instructions have been prepared to simplify your use of the coffee grinder. They contain information, advice and instructions for the best use of your unit.

1.1 *Warranty information*

ALTHOUGH YOUR COFFEE GRINDER IS DISTINGUISHED BY A HIGH QUALITY AND SAFETY STANDARD, DAMAGE TO MATERIAL OR RISK OF INJURY CANNOT BE EXCLUDED IF OPERATED INCORRECTLY, USED IMPROPERLY OR MISUSED.

THE OPERATING INSTRUCTIONS WILL THEREFORE FAMILIARISE YOU WITH CORRECT USE OF THE COFFEE GRINDER AND ASSIST YOU TO AVOID WRONG OPERATIONS. IF THE ENCLOSED INSTRUCTIONS ARE FOLLOWED EXACTLY, YOU WILL AVOID DANGERS, REDUCE REPAIR AND STOPPAGE TIMES AND INCREASE THE RELIABILITY AND SERVICE LIFE OF YOUR UNIT.

TO ENSURE THAT YOU AND YOUR EMPLOYEES TAKE NOTICE OF THE CONTENTS OF THE OPERATING INSTRUCTIONS AND FOR YOUR OWN SAFETY, WE WOULD ASK YOU TO COMPLETE THE TRANSFER DECLARATION PRINTED ON THE FOLLOWING PAGE, DETACH THIS ALONG THE PERFORATION AND RETURN IT TO YOUR DEALER.

1.2 Transfer declaration

To ensure transfer of the operating instructions to final consumers

Note: The following declaration should be completed by the dealer and the purchaser. The purchaser undertakes to return this declaration to the dealer. The purchaser thereby certifies that the dealer has drawn his attention to the contents of operating instructions no. 64426, in particular to the relevant safety instructions for use of the machine.

64426 A 03/35



page 4 - 14

Transfer declaration

- (1) Type _____ Machine no. _____
- (2) Address of customer _____
- (3) The machine specified in (1) was purchased by me. The complete operating instructions were handed to me with transfer of the machine.

Signature of customer

Place / date

- (4) Date of transfer _____
- (5) Address of dealer/importer _____

Company stamp/signature

- (6) The machine was handed to the customer in accordance with the guidelines of the manufacturer.

Company stamp/signature if not identical with (5)

Signature of customer service-specialist

Date

1.3 General safety instructions

- The operating instructions must be kept permanently at the place of operation of the machine and if possible attached at the point of installation in the immediate vicinity of the machine.
- The competent sales and service personnel must have read the operating instructions before putting the coffee grinder into operation and be familiar with all functions including action in the event of a fault.
- If customers themselves operate the machine, a notice must be placed clearly visible in the immediate vicinity of the machine that customers must immediately call the service personnel responsible in the event of a fault and not try to eliminate the fault themselves by tampering with the machine.
- The machine must be placed in the sales areas so that the sales personnel responsible can be reached by the customer without difficulty.
- The model KS 1 / KS 3 was developed and built for intermittent duty only and is therefore not suitable for continuous operation. The max. grinding time, without interruption, is 40 minutes. After 40 minutes, the grinder must be switched off and not be operated for approx. 30 min.
- Only original spare-parts must be used for repairs to the grinder. If spare-parts from other manufacturers are used, the serviceability of the grinder may be impaired. In addition, further injury to persons or material damage cannot be excluded.
- The grinder should be installed out of reach of children. Children and users must on no account reach into the openings or come into contact with electrical components.
- Never reach into the hopper opening while the machine is running.
- Never touch electrical components with conducting objects, such as needles, pins, cutlery, etc. !
- The emission value referred to the workplace is 76 dB(A).
- The machine must be electrically protected by fuses according to the nameplate and the local regulations.

1.3.1 Information and safety symbols

Two information symbols are used in these operating instructions to emphasise important comments in the text:

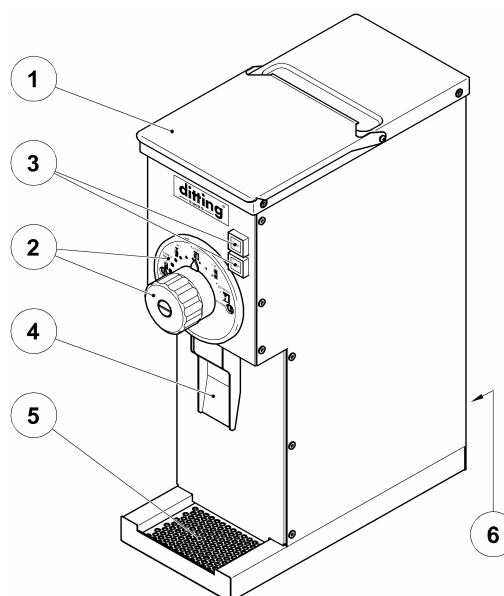
| | |
|--|---|
| | Information This symbol indicates information containing important data concerning efficient use. Non-observance can lead to faults. |
| | Safety This symbol indicates information which if not observed can lead to danger to persons and/or substantial material damage. The safety instructions must be followed without fail. |

2 Description and Safety Devices

Main Components and Operating Elements

The main components and operating elements are shown in the *Figure*.

1. Lid for hopper
2. Grinding degree setting
3. START / STOP
4. Spout with bag detector
5. Bag shaker
6. Rating / Serial no. plate

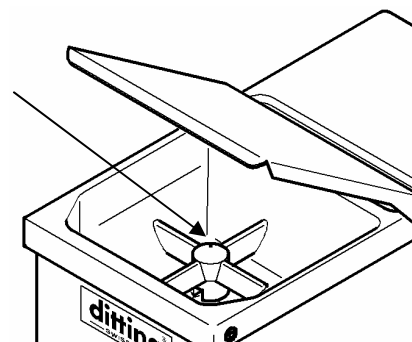


2.1 Safety Devices

➤ Finger protector / magnet holder



A combined finger protector/magnet holder is fitted in the hopper of the grinder. It is supposed to prevent the user from reaching into the running grinding mechanism. At the same time, it also prevents ferrous objects from getting into the grinding mechanism. Every now and then you should clean the magnet since adhering ferrous objects could be hanging from the magnet.



3 Setting Up and Basic Adjustment

The **KS 1 / KS 3** coffee grinders are suitable for grinding various kinds of coffee. The grinding fineness can be set from "Turkish fine" to "percolator" with an adjusting knob provided with a scale. The **KS 1 / KS 3** coffee grinders are suitable for use in small food stores, coffee shops. The simple method of operation enables customers to use the grinder themselves in self-service stores.

A grinding test run is carried out on each grinder in the manufacturer's factory. This is why you may find ground material residue in the grinding mechanism!

3.1 Setting-up area

Place the grinder on a level surface free from vibration.



Never operate the grinder in moist, or even worse, in wet surroundings.

3.2 Initial Set-up

Open the top lid. Clear all foreign objects and shipping materials from the hopper compartment and the entrance to the grind chamber.

3.3 Installation

You have received your grinder in operating condition. Now you only need to connect it to a power supply system. Proceed as follows:

Determine whether the mains voltage and frequency correspond to the information on the rating plate.



Protect your grinder with a separate pre-fuse (not included in the scope of supplies) according to the information provided under *Item 2 "Technical data"*. Make sure that the pre-fuse is not overloaded by other consuming machines (e.g. fan-forced heaters, deep freezers).

Insert the plug into the available grounded outlet.

3.4 Basic Setting



A grinding test can be conducted when the grinder is ready for operation.

The basic setting has been set in the factory and the grinding degree is already set to the finest grind.

For this reason please make no alterations, as this could lead to damage of the appliance.

4 Operation



Use the KS 1 or KS 3 grinder only in accordance with the instructions listed under 1.3.

Never place fingers or objects into the grinding gears!



Never exceed the maximum allowable operating time of 40 minutes. Afterwards, allow the motor to cool off for around 30-40 minutes prior to switching the grinder on again.

4.1 Operating Controls

Start/Stop Switch

START Pressing the START button initiates grinding only when a bag is in place behind the spout. The switch will return to this position after a grind cycle has begun and will remain in this position after grinding has ceased.

STOP pressing the STOP button stops the operation of the grinder.

Grind Selector

Allows the user to vary the grind for each bag of coffee. The grind ranges indicated on the label allow a very precise grind control. The grinding results may vary substantially for different types and roasts of coffee.

Bag Detector

Prevents the grinder from operating unless the back of a bag is in place behind the spout. This is also a safety device. Please do not attempt to by-pass the bag detector (not visible).



The grinder must only be installed in dry areas!
Place the coffee grinder on a firm, level and non-slip base. Danger of tipping and slipping on unstable surfaces. Before connecting the coffee grinder to the mains supply, ensure that this supply corresponds with the data on the unit nameplate.

5 Care / maintenance / adjustment

5.1 *Cleaning of coffee grinder*



The coffee grinder must only be cleaned with a paper towel.
If necessary use suitable mild dish washer detergent.
Do not use an alkaline cleaning agent.
Do not spray coffee grinder with water and/or steam.

Reason: 1- It can result in a short-circuit and therefore damage the unit.
2- The use of alkalis can affect the flavor of the coffee.

The coffee grinder should be cleaned at least once a week and always if soiled.



Before cleaning the coffee grinder, **switch off motor AND REMOVE THE POWER CABLE FROM THE OUTLET.**



Always remove the electrical plug from the outlet before conducting cleaning or repair work on the appliance!



Observe the safety instructions under 1.3!



Avoid allowing foreign objects to fall into the grinding gears!

The use of damp cloth rinsed in any mild, non-abrasive, liquid detergent is recommended for cleaning all surfaces and interior parts. Regular cleaning is essential to keep your grinder in a hygienic and workable condition.

Cleaning of grinding discs and grinding chamber



Cleaning of the grinding chamber and grinding discs must only be performed by persons familiar with the unit after carefully reading the following instructions.



The grinding discs and grinding chamber should be cleaned at least once a week.

5.2 Maintenance and Repair



Always pull the plug out of the socket before you perform any maintenance or clean the grinder.

Always check the grinder regularly for damage, especially damage to the power cord, plug, finger protector etc.

Any repairs necessary may only be performed by an authorised specialist. Please contact an authorised service centre or your dealer.

5.3 Spare Parts

Spare parts are usually ordered from your customer service centre or your local dealer. To ensure quick, correct processing of your order, the following information is absolutely required:

1. Type designation and serial number of the grinder (on the rating plate on the rear side of the grinder).
2. An exact description of the part to be replaced or the article number.



Periodic checking of the grinding quality and grinding discs must only be performed by competent specialists and/or service personnel.

5.4.1 Setting the scale (adjustment)

Setting of the scale (with the adjusting knob) makes the fineness of the ground coffee correspond with the fineness set on the scale (marked).



Setting of the scale must only be performed by persons familiar with the unit after carefully reading the following instructions.



Checking the setting:

When turning the adjusting knob from scale position Turkish to French Press there must on no account be a sound of metal parts rubbing together.



There must be **no sound** of grinding discs rubbing together at scale position Turkish = excessive wear of grinding discs.

5.4.2 Changing the scale setting (adjustment for customer settings)

The purpose of setting the scale on the rotary knob is to ensure that the fineness of the ground coffee matches the fineness setting shown on the scale. The machine is supplied complete with a factory setting and is ready for operation.

Alter the scale setting:

if the fineness of the coffee after grinding does not match the scale and is therefore not as required.

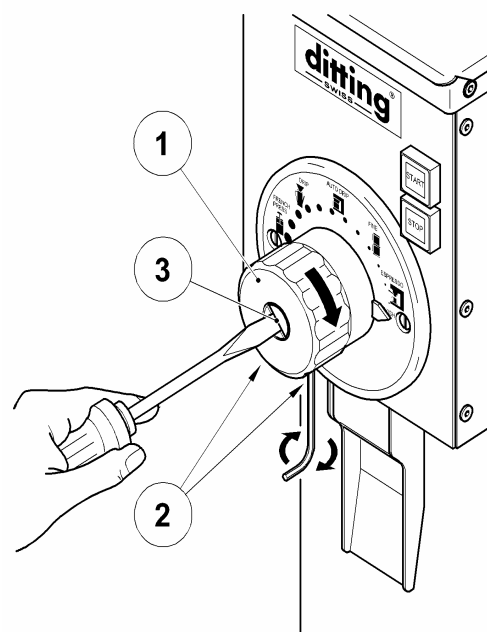
if a setting for a particular grinding fineness is needed.

IMPORTANT

Only the maintenance staff should be allowed to adjust the scale settings!

Procedure

1. Place a bag under the delivery tube for the ground coffee.
2. Switch the machine on.
3. Turn the rotary knob (1) in a clockwise direction as far as the catch point.
4. Use the hexagonal Allen key (approx. 3 turns) to release the studs (2).
5. Turn the centre screw head (3)
 - for greater grinding fineness: clockwise
 - for coarser grinding: anti-clockwise.



CAUTION

If you hear a slight sound (grinding discs in contact with each other), this means that the gap between the grinding discs is too small and must be increased! (Correct by turning anti-clockwise!)

6. Tighten the studs (2) once more.



Checking the setting:

When turning the adjusting knob from scale position Turkish to French Press there must on no account be a sound of metal parts rubbing together.

There must be **no sound** of grinding discs rubbing together at scale position Turkish = excessive wear of grinding discs. If there is a sound, grinding must be set more coarsely (see 5.5).

5.5 Replacing the grinding discs

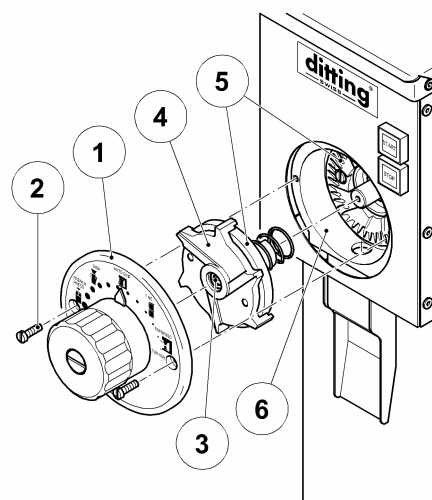
Cleaning the grinding mechanism



CAUTION

The grinding discs must not be removed until the machine is completely at rest! Before beginning this task, switch off the main switch (if fitted), ensure the machine cannot be switched on by accident and pull out the mains plug from the mains socket.

1. Remove the adjustment unit (1) by unscrewing both screws (2).
2. To push off the rotary disc flange, open the centre screw (3).
3. Pull out the rotary disc flange (4) from the grinder body chamber (6).
4. Remove any foreign matter that may be present.
5. Check the grinding discs (5), the rotary disc flange (4) and the grinder body chamber (6) for possible damage and replace faulty parts.



IMPORTANT

All the contact surfaces of the grinding discs (5), the rotary disc flange (4) and the grinder body chamber (6) must be absolutely clean when reassembled! This is the only way to ensure completely trouble-free grinding.

6. Reassemble all the parts using the same steps in reverse order.
7. After reassembly, reconnect the machine to the mains.
8. Switch the machine on briefly.



IMPORTANT

If the grinding mechanism jams or if you hear the sound of metal parts rubbing against each other, you must reset the scale. For this, read the chapter entitled "Setting the scale".



Before changing grinding discs **switch off motor** without fail and **disconnect power cable !**

The grinding discs must only be replaced by persons familiar with operation of the machine according to the following instructions.

- Switch off motor and pull out power cable. Set adjusting knob (2) to coarse grinding scale position percolator.

6 Faults / action

6.1 Action in event of a fault



When operated by customers, it must be ensured that personnel are notified in the event of a fault and that customers do not try to repair the machine themselves.

The grinder must only be opened, inspected and dismantled by persons familiar with the method of operation of the machine, who have previously read these operating instructions through carefully.

6.2 Table with possible malfunctions

| Fault | Result | Action (information text) | Re. |
|---------------------------------------|-------------------------------------|---|-----|
| Grinder cannot be switched on | Failure of power supply | Plug-in the grinder, check voltage at the fuse | 3.3 |
| | Circuit breaker | | |
| | Bag detector | The receiving bag must be placed correctly | 4.1 |
| Grinder will not shut off | Start/Stop switch | Press the switch to the "Start" position | 4.1 |
| | Start/Stop switch | Press Stop switch | 4.1 |
| | Bag detector | Refer to service – Start/Stop switch for testing procedures | 4.1 |
| | | Remove bag from the dispense spout | |
| Grinder starts, but is not dispensing | Hopper Entrance to grind chamber | Coffee must be filled into the hopper before grinding | 3 |
| | | Material different than coffee might be cleared from the grinding chamber | 5.5 |
| Grinder jams, motor does not start | | Unblock discharge tube | 5.5 |
| | | Unblock grinding unit | 5.5 |
| Irregular grinding | | Check grinding discs for wear and replace if necessary | 5.5 |
| Increased amount of dust | | Check grinding discs for wear and replace if necessary | 5.5 |

6.3 *Thermal protector*

- If the grinder is overheated, the integrated thermal protector prevents the motor from running
- Let the grinder cool off for half an hour and the coffee grinder is again ready for operation.

7 **Customer service**

If it is found during maintenance that the grinding discs must be resharpened/replaced or other repairs must be made, the nearest service centre (see page 1) should be contacted or direct connection made with the sales offices mentioned below.

New grinding discs, spare-parts and accessories (also at intermediate times) can be ordered from our customer service or the relevant agent.

**The grinding discs can be resharpened
once or twice**

Data such as **manufacturing number** and type of **power supply** as specified on the rating/serial no. plate of the coffee grinder should be stated on orders for grinding discs, spare-parts and accessories to ensure rapid and efficient advice and delivery.

Ditting Maschinen AG
Bramenstrasse 11
CH-8184 Bachenbülach

Tel: +41 44 860 5421
Fax: +41 44 860 8238
info@dittingswiss.ch
www.dittingswiss.ch

Subject to technical modification.