

KR 1203
KR 1403

Model

Voltage

Serial No.

Your service center

.....

.....

.....

.....

Contents

	page	
1	General	
1.1	Warranty information	3
1.2	Transfer declaration (for European Countries only)	4
1.3	General safety instructions	5
1.3.1	Information and safety symbols	6
2	Installation of coffee grinder	
2.1	Description and installation of unit	6
2.2	How to use the coffee grinder	7
3	Care / Maintenance / Adjustment	
3.1	Care and cleaning of the coffee grinder	8
3.2	Maintenance	10
3.3	Grinder calibration (adjustment)	10
3.3.1	Basic calibration	11
3.3.2	Changing the scale setting (customer setting)	12
3.4	Replacing the grinding discs	13
4	Trouble shooting / action	
4.1	Action in event of problems	14
4.1.1	Possible malfunctions	14
4.2	Repairs	15
4.2.1	Unblocking the discharge tube	15
4.2.2	Unblocking the grinding unit	15
4.2.3	Circuit breaker (KR 1203)	16
	Thermal protector (KR 1403)	16
5	Customer service	17

1 General

Dear Customer,

We congratulate and thank you for purchasing a DITTING quality product. These operating instructions have been prepared to simplify your use of the coffee grinder. They contain information, advice and instructions for the best use of your unit.

1.1 *Warranty information*

ALTHOUGH YOUR COFFEE GRINDER IS DISTINGUISHED BY A HIGH QUALITY AND SAFETY STANDARD, DAMAGE TO MATERIAL OR RISK OF INJURY CANNOT BE EXCLUDED IF OPERATED INCORRECTLY, USED IMPROPERLY OR MISUSED.

THE OPERATING INSTRUCTIONS WILL THEREFORE FAMILIARISE YOU WITH CORRECT USE OF THE COFFEE GRINDER AND ASSIST YOU TO AVOID WRONG OPERATIONS. IF THE ENCLOSED INSTRUCTIONS ARE FOLLOWED EXACTLY, YOU WILL AVOID DANGERS, REDUCE REPAIR AND DOWN TIMES AND INCREASE THE RELIABILITY AND SERVICE LIFE OF YOUR UNIT.

TO ENSURE THAT YOU AND YOUR EMPLOYEES TAKE NOTICE OF THE CONTENTS OF THE OPERATING INSTRUCTIONS AND FOR YOUR OWN SAFETY, WE WOULD ASK YOU TO COMPLETE THE TRANSFER DECLARATION PRINTED ON THE FOLLOWING PAGE, DETACH THIS ALONG THE PERFORATION AND RETURN IT TO YOUR DEALER (FOR EUROPEAN MARKET REQUIREMENT ONLY).

1.2 Transfer declaration (for European Countries only)

To ensure transfer of the operating instructions to final consumers

Note: The following declaration should be completed by the dealer and the purchaser. The purchaser undertakes to return this declaration to the dealer. The purchaser thereby certifies that the dealer has drawn his attention to the contents of operating instructions no. 64419, in particular to the relevant safety instructions for use of the machine.

64419 99/03

page 4 - 17

✂

Transfer declaration

(1) Type Machine no.

(2) Address of customer

(3) The machine specified in (1) was purchased by me. The complete operating instructions were handed to me with transfer of the machine.

Signature of customer _____
Place / date

(4) Date of transfer

(5) Address of dealer/importer

Company stamp/signature

(6) The machine was handed to the customer in accordance with the guidelines of the manufacturer.

Company stamp/signature if not identical with (5)

Signature of customer service-specialist _____
Date

1.3 General safety instructions



- The operating instructions must be kept permanently at the place of operation of the machine and if possible attached at the point of installation in the immediate vicinity of the machine.
- The competent sales and service personnel must have read the operating instructions before putting the coffee grinder into operation and be familiar with all functions including action in the event of a fault.
- If customers themselves operate the machine, a notice must be placed clearly visible in the immediate vicinity of the machine that customers must immediately call the service personnel responsible in the event of a fault and not try to eliminate the fault themselves by tampering with the machine.
- The machine must be placed in the sales areas so that the sales personnel responsible can be reached by the customer without difficulty.
- Only original spare-parts must be used for repairs to the grinder. If spare-parts from other manufacturers are used, the serviceability of the grinder may be impaired. In addition, further injury to persons or material damage cannot be excluded.
- The grinder should be installed out of reach of children. Children and users must on no account reach into the openings or come into contact with electrical components.
- Only original grinding discs sharpened by DITTING must be used.
- **NEVER** reach into the hopper opening while the machine is running.
- **NEVER** touch electrical components with conducting objects, such as needles, pins, cutlery, etc. !
- The emission value referred to the workplace is 76 dB(A).
- The machine must be electrically protected by circuit breakers or fuses according to the nameplate and the local regulations.



1.3.1 Information and safety symbols

Two information symbols are used in these operating instructions to emphasise important comments in the text:



Information

This symbol indicates information containing important data concerning efficient use. Non-observance can lead to faults.



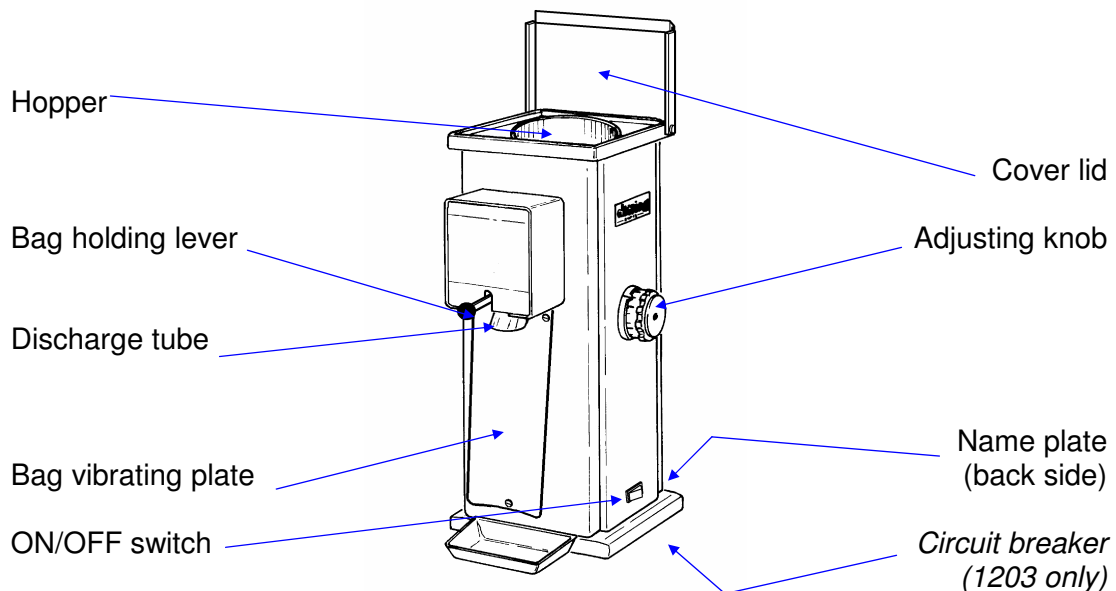
Safety

This symbol indicates information which if not observed can lead to danger to persons and/or substantial material damage. The safety instructions must be followed without fail.

2 Installation of coffee grinder

2.1 Description and installation of unit

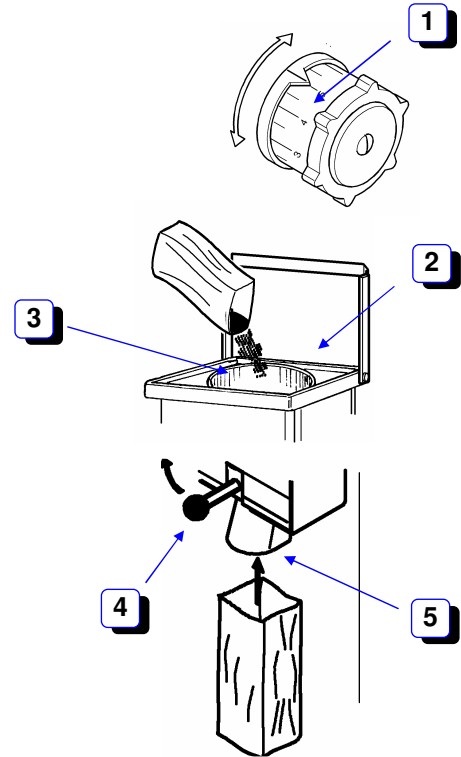
The **KR 1203/1403** coffee grinders are suitable for grinding various kinds of coffee. The grinding fineness can be set from "Turkish fine" to "coarse" with an adjusting knob provided with a scale. The **KR 1203/1403** coffee grinders are suitable for use in medium-sized to large food stores, coffee companies and roasting plants. The simple method of operation enables customers to use the grinder themselves in self-service stores.



The grinder must only be installed in dry areas!
Place the coffee grinder on a firm, level and non-slip base. Danger of tipping and slipping on unstable surfaces. Before connecting the coffee grinder to the mains supply, ensure that this supply corresponds with the data on the unit nameplate.
The grinder comes pre-calibrated from the factory.

2.2 How to use the coffee grinder

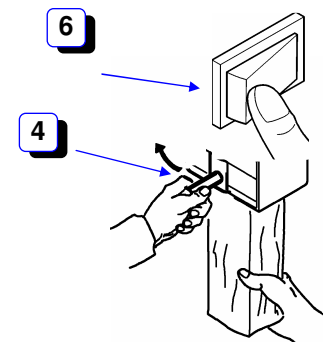
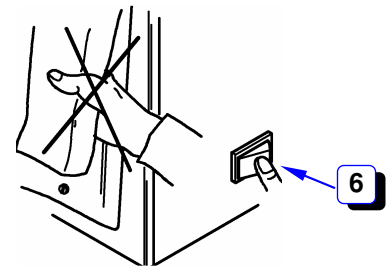
- Set the required grinding fineness on the scale with adjusting knob (1).
- Open the cover lid (2) and place coffee beans in hopper (3).
- Lift lever (4), put empty bag over discharge tube (5) and release lever and paper bag.



Please ensure that the bag is opened fully before switching on the coffee grinder.

Reason: If the bag is not fully open, the ground coffee cannot run out properly, which can result in a build-up and malfunction of the unit.

- Switch on motor with the ON/OFF switch (6) (switch lights).
- After the end of grinding switch off the motor (6).
- Hold the bag tightly in the hand and tap the discharge tube clean by lifting and releasing the bag holding lever (4), then remove the bag.



Only grind whole coffee beans!
Coffee already ground must not be ground again!

3 Care / maintenance / adjustment

3.1 Care and cleaning of coffee grinder



The coffee grinder must only be cleaned with a paper towel.
If necessary use suitable mild dish washer detergent.
Do not use an alkaline cleaning agent.
Do not spray coffee grinder with water and/or steam.

Reason: 1- It can result in a short-circuit and therefore damage the unit.
2- The use of alkalis can affect the flavor of the coffee.

The coffee grinder should be cleaned at least once a week and always if soiled.



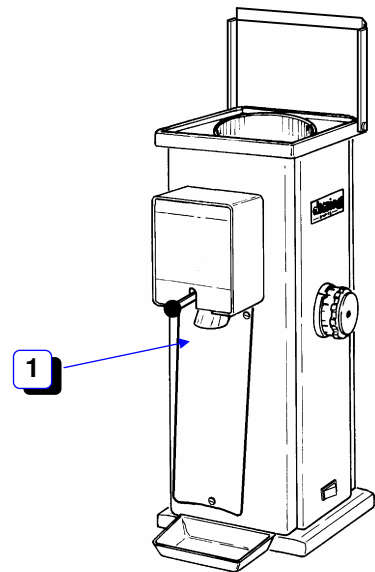
Before cleaning the coffee grinder, **switch off motor AND REMOVE THE POWER CABLE FROM THE OUTLET.**

Cleaning of body shell

Use a paper towel along with a mild dish washer detergent to clean the body shell, cover lid and the inside of the hopper.

Cleaning of discharge tube

Use a brush and paper towel to clean in and outside of discharge tube **(1)** from any coffee particles.



Cleaning of grinding discs and grinding chamber



Cleaning of the grinding chamber and grinding discs must only be performed by persons familiar with the unit after carefully reading the following instructions.

The grinding discs and grinding chamber should be cleaned at least once every three months.

a UNPLUG THE COFFEE GRINDER

b Loosen the four screws holding the cover lid and hopper and remove them.

1 Use a paper towel and/or a brush to clear the hopper and built-in magnet from any coffee particles. If necessary, use mild dish washer detergent along with towel.

c Remove the screws that hold the top stationary disc flange.

1 Pull out the stationary disc and set it aside.

2 Use paper towel and brush to clear the grinding chamber and grinding discs from any coffee particles. If necessary, use mild dish washer detergent along with towel.

d Loosen the screw in the center of the adjusting knob (on the right side of the machine) and slowly remove the screw, the aluminum backing plate, and the spring behind it.

1 Unscrew (counter-clockwise) the adjusting gear/cone and set it aside.

e Remove the center bolt holding the lower rotating disc. You need to place the soft handle of a pair of pliers in the opening chamber where the coffee goes out to the discharge tube to prevent the rotating disc from moving.

1 Take out the washer behind the bolt and replace the bolt in the hole (finger tight).

f Take a wood dowel (or a piece of hard wood) , place it on the head of the center bolt and hit it with a hammer to push away the cone tipped shaft from the lower rotating plate. The rotating disc is press fit on the motor shaft.

g Lift up and remove the rotating plate.

1 Remove the felt gasket.

2 Use paper towel and/or brush to clear the rotating disc from any coffee particles. If necessary, use mild dish detergent along with towel.

3 Insert the new felt gasket. Guide the disc carefully into the housing.

4 Gently guide the rotating disc over the shaft.

h Remove the center bolt. Replace the washer that you had taken out and tighten the bolt back in place. Place the handle of the pliers back into the outlet hole, and tighten the center bolt tightly.

- i Re-install the adjusting gear/cone in the grinder and turn it clockwise until the rotating plate's wings clear the grinding housing and the lower plate spins freely.
 - 1 Place the spring over the gear cone, followed by the Aluminum backing plat and screw. Turn the screw only 3 full turn (you will tighten the after calibration of step 3.3.1).
- j Clean the mating surfaces free from dirt and coffee, and install the top stationary disc and install and tighten the screws
- k Install the hopper and cover lid.
- l Plug in the grinder into the power outlet.
- m Perform basic calibration according to 3.3.1.

3.2 Maintenance

If the grinding quality is no longer of the required standard, the grinding discs must be replaced.

The grinding discs should be inspected for wear at least once a year.



Periodic checking of the grinding quality and grinding discs must only be performed by competent specialists and/or service personnel.

3.3 Grinder calibration (adjustment)

Calibration of the grinder (with the adjusting knob) makes the fineness of the ground coffee correspond with the fineness set on the scale (marked).



Calibration of the grinder must only be performed by persons familiar with the unit after carefully reading the following instructions.

The basic calibration *according to 3.3.1* should be made:

- after replacing the grinding discs
- following inadvertent displacement of the basic calibration

Change of scale setting as 3.3.2 should be performed:

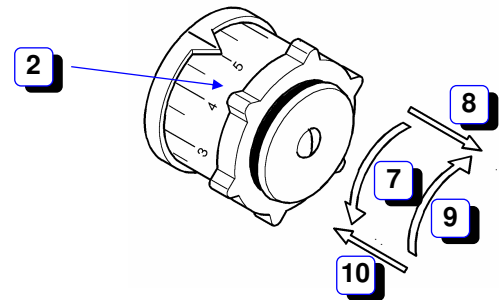
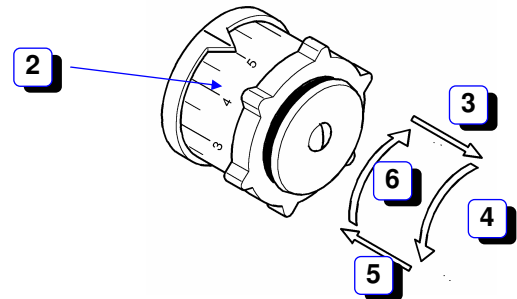
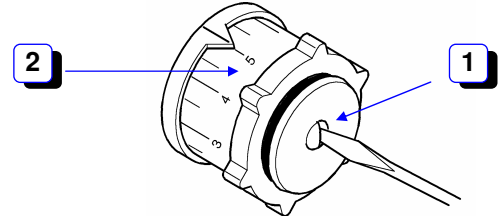
- if the desired grinding fineness does not correspond with the scale (adjusting knob)
- if an individual setting of the grinding fineness is desired (customer setting)

3.3.1 Basic calibration



If the basic calibration is incorrect, friction can occur between the grinding discs, resulting in excessive wear.

- Switch on motor.
- Unscrew screw (1) at center of adjusting knob (2) approx. 3 - 5 mm (3/16"), do not remove.
- Pull out (3) adjusting knob (2) and turn 1/4 of a revolution anti-clockwise (4). Release and engage (5) adjusting knob (2). Turn adjusting knob (2) slowly clockwise towards scale position 1 until there is a sound of grinding discs rubbing together (6).
- When the sound of grinding discs rubbing together is heard, turn back while engaged 10 mm (one line) anti-clockwise (7). Pull out (8) adjusting knob (2) and turn clockwise to scale position 1 (9). Release adjusting knob (2) and engage (10).
- Retighten screw at center of adjusting knob (2).



Checking the setting:

When turning the adjusting knob from scale position 1 - 9 there must on no account be a sound of metal parts rubbing together.



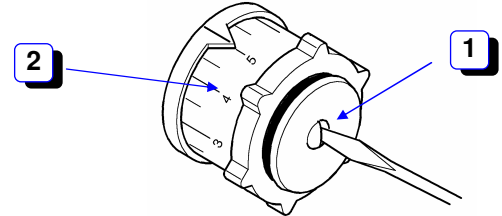
There must be **no sound** of grinding discs rubbing together at scale position 1 = excessive wear of grinding discs.

- Switch off motor.

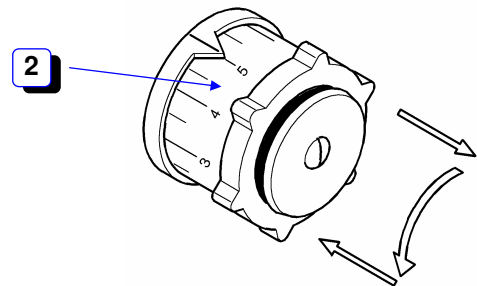
3.3.2 Changing the scale setting (adjustment for customer settings)

- Switch off motor.

- Unscrew screw **(1)** at center of adjusting knob **(2)** approx. 3 - 5 mm (3/16"), do not remove.

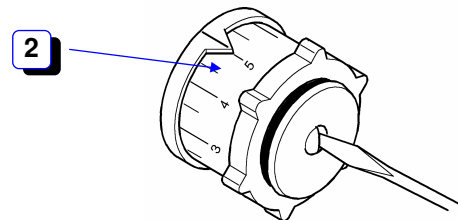


- Set required number of divisions by pulling out adjusting knob **(2)**, turning in the corresponding direction and re-engaging. (1 division corresponds to approx. 3 - 4 mm on the scale.)
 - adjustment clockwise = coarser grinding
 - adjustment anti-clockwise = finer grinding



- Switch on motor.

- Retighten screw at center of adjusting knob **(2)**.



Checking the setting:

When turning the adjusting knob from scale position 1 - 9 there must on no account be a sound of metal parts rubbing together.



There must be **no sound** of grinding discs rubbing together at scale position 1 = excessive wear of grinding discs. If there is a sound, grinding must be set more coarsely (see 3.3.1).

- Switch off motor.

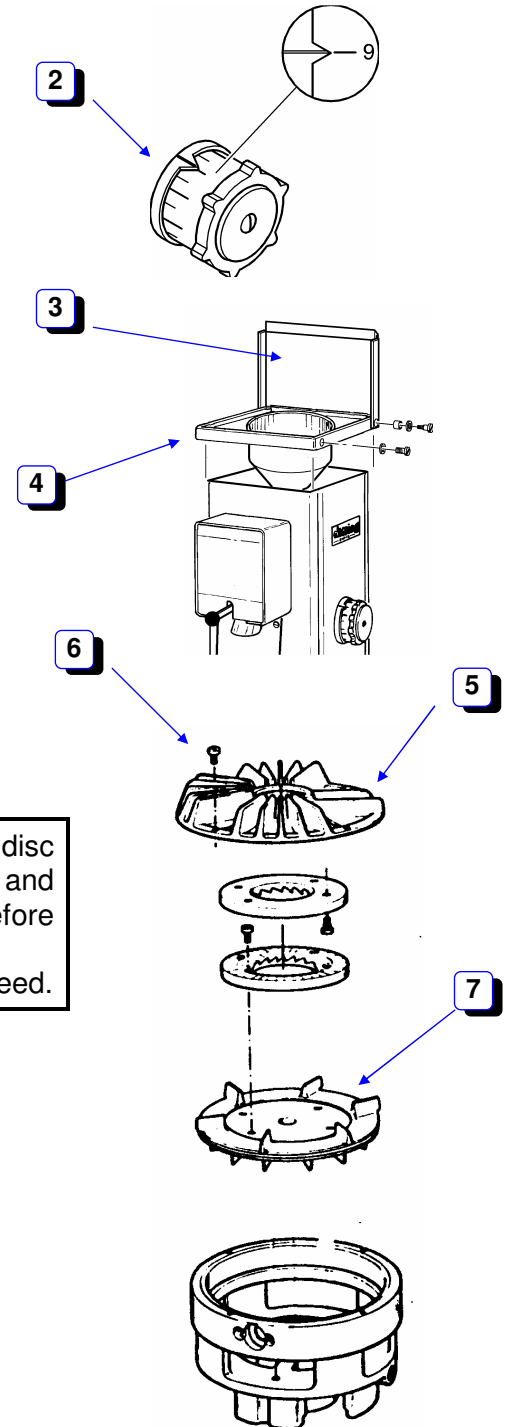
3.4 Replacing grinding discs



Before changing grinding discs **switch off motor** without fail and **pull out power cable !**

The grinding discs must only be replaced by persons familiar with operation of the machine according to the following instructions.

- Switch off motor and pull out power cable. Set adjusting knob (2) to coarse grinding scale position 9.
- Dismantle cover lid (3) and hopper (4).
- Remove stationary disc flange (5) by releasing screws (6) (see illustration) and dismantle grinding discs.
- Dismantle lower grinding disc from rotating disc flange (rotary flange 7).

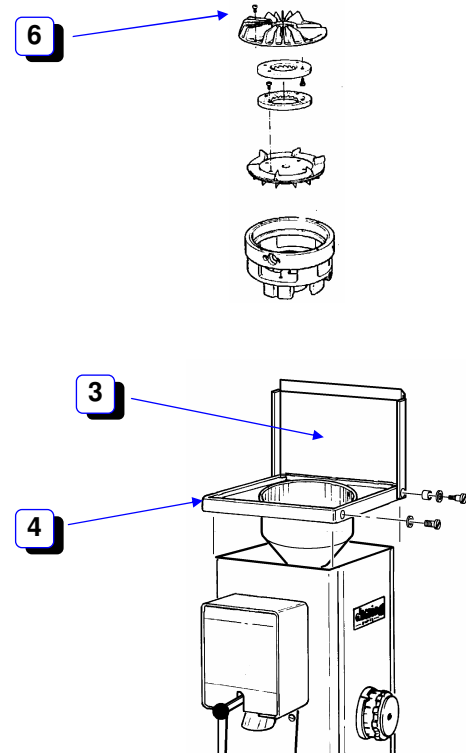


All supporting (mating) surfaces of stationary disc flange, rotating disc flange, grinding discs and grinding case must be **absolutely clean** before assembly.

Only in this way can perfect grinding be guaranteed.

- Screw **new grinding** discs to the cleaned stationary and rotating disc flanges (5 + 7).
- For **resharpened grinding discs** the shims if supplied should be inserted between grinding disc and flange.
- Then re-assemble parts in reverse sequence. Tighten all screws.

- Plug in power cable, switch on coffee grinder briefly. If it blocks or there is a sound of metal parts rubbing together, the scale setting must be adjusted *according to 3.3.2*.
- Retighten screws **(6)** of the stationary disc flange. For this purpose the cover lid including hopper **(3+4)** must be dismantled again and then re-fitted.
- Perform basic calibration *according to 3.3.1*.



4 Trouble shooting / action

4.1 Action in event of a problem



When operated by customers, it must be ensured that personnel are notified in the event of a problem and that customers do not try to repair the machine themselves.

The grinder must only be opened, inspected and dismantled by persons familiar with the method of operation of the machine, who have previously read these operating instructions through carefully.

4.1.1 Possible malfunctions

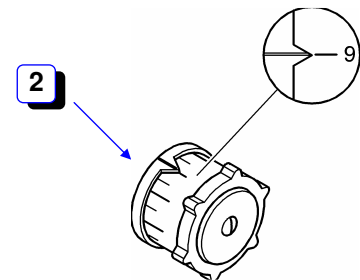
Fault	Result	Action (information text)	Re.
Grinder cannot be switched on	Switch does not light	Check power cable, connection and building fuses	
	Circuit breaker (KR 1203) Thermal protector (KR 1403)	Reset circuit breaker Allow the machine to cool down	4.2.3 4.2.3
Grinder jams, motor does not start	Switch lights	Unblock discharge tube	4.2.1
		Unblock grinding unit	4.2.2
Irregular grinding		Check grinding discs for wear and replace if necessary	3.4
Increased amount of dust		Check grinding discs for wear and replace if necessary	3.4

4.2 Repairs

	Switch off motor and pull out power cable before carrying out any repairs inside the machine, in order to avoid danger of injury and electric shock !
	The electrical wiring diagram for this grinder is placed either: - inside of the bottom section of the housing panel or - on the inside of the bottom plate

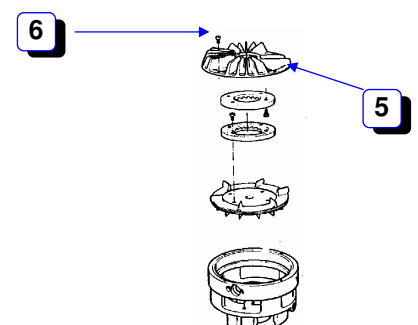
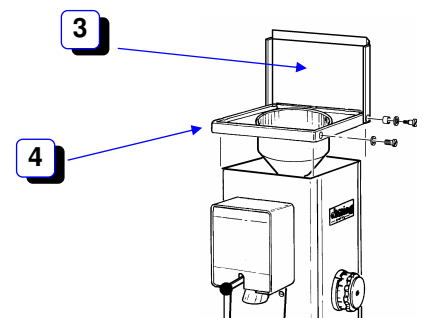
4.2.1 Unblocking discharge tube

- Switch off motor and unplug power cable.
- Unblock discharge tube from outside as far as possible.
- Set adjusting knob **(2)** to coarse grinding scale position 9 and switch motor on again. This frequently unblocks the grinder and clears any foreign bodies in the grinding unit.
- If the motor still does not run, continue according to 4.2.2.



4.2.2 Unblocking grinding unit

- Switch off motor and unplug power cable.
- Remove coffee beans from hopper **(4)** (use a vacuum cleaner if necessary).
- Dismantle cover lid **(3)** and hopper **(4)**.
- Remove stationary disc flange **(5)** by releasing screws **(6)** with a large screwdriver (see illustration).



- Remove foreign matter. Check grinding discs, rotating and stationary disc flange, etc. for damage.

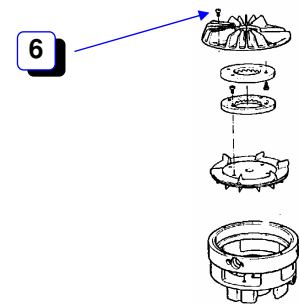


All supporting surfaces of stationary disc flange, rotating disc flange, grinding discs and grinding case must be **absolutely clean** before assembly. Only in this way can perfect grinding be guaranteed.

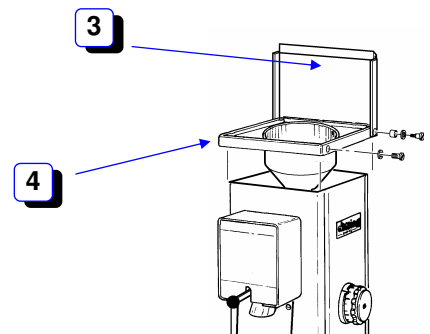
- Then re-assemble parts in reverse sequence. Tighten all screws.
- Plug in power cable, switch on coffee grinder briefly.



If the coffee grinder should block or there is a sound of metal parts rubbing together, the scale setting must be adjusted *according to 3.3.2*.



- Retighten screws (6) of the stationary disc flange. For this purpose the cover lid including hopper (3+4) must be dismantled again and then re-fitted.
- Perform basic calibration *according to 3.3.1*.



4.2.3 Circuit breaker (KR 1203)

- Set ON/OFF switch to OFF position.
- Reset overcurrent release by firmly pressing the red button underneath bottom plate.
- The coffee grinder is again ready for operation.

Thermal protector (KR 1403)

- Grinder is switched off automatically.
- Allow the machine 10 to 15 min. to cool down. Thermal protector will reset automatically.
- The coffee grinder is again ready for operation.

5 Customer service

If it is found during maintenance that the grinding discs must be resharpened/replaced or other repairs must be made, the nearest service center (see page 1) should be contacted or direct connection made with the factory.

New grinding discs, spare-parts and accessories can be ordered from our customer service or from your service center.

**The grinding discs can be resharpened
once or twice at the factory.**

Data such as manufacturing number and type of power supply as specified on the nameplate of the coffee grinder should be stated on orders for grinding discs, spare-parts and accessories to ensure rapid and efficient advice and delivery.

DITTING MASCHINEN AG
Bramenstrasse 11
P.O. Box 241
CH-8184 Bachenbülach
Switzerland

Phone: (41) 44 860 5421
Fax: (41) 44 860 8238
e-mail: info@dittingswiss.ch
www.dittingswiss.ch

ditting® U.S.A.
1000 Air Way
Glendale, CA 91201

Phone: 800-835-5992
Fax: 818-247-9722
www.ditting.com

Subject to technical modification.