

KF 1800

**TYPE**

**Voltage**

**Manuf. no.**

**Your service centre** .....

## Contents

	page	
<b>1</b>	<b>General</b>	
1.1	Warranty information	3
1.2	Transfer declaration	4
1.3	General safety instructions	5
1.3.1	Information and safety symbols	6
<b>2</b>	<b>Installation of coffee grinder</b>	
2.1	Description of unit	6
2.2	Installation information	7
2.3	Assembly before using the first time	7
2.3.1	Basic setting (calibration)	8
2.4	How to use the coffee grinder	9
<b>3</b>	<b>Care / Maintenance / Adjustment</b>	
3.1	Care and cleaning of the coffee grinder	10
3.2	Maintenance	10
3.3	Setting the scale (adjustment)	10
3.3.1	Increasing the grinding disc clearance	11
3.3.2	Reducing the grinding disc clearance	11
3.4	Replacing the grinding discs	12
<b>4</b>	<b>Faults / action</b>	
4.1	Action in event of fault	13
4.1.1	Table with possible malfunctions	13
4.2	Repairs	14
4.2.1	Unblocking the grinding unit	14
4.2.2	Unblocking the discharge tube	15
<b>5</b>	<b>Customer service</b>	16
<b>6</b>	<b>Appendix</b>	
6.1	Electrical wiring diagram	A1
6.2	Spare-parts list	A2
6.3	Section drawing	A3

## 1 General

Dear Customer,

We congratulate and thank you for purchasing a DITTING quality product. These operating instructions have been prepared to simplify your use of the coffee grinder. They contain information, advice and instructions for the best use of your unit.

### 1.1 *Warranty information*

**ALTHOUGH YOUR COFFEE GRINDER IS DISTINGUISHED BY A HIGH QUALITY AND SAFETY STANDARD, DAMAGE TO MATERIAL OR RISK OF INJURY CANNOT BE EXCLUDED IF OPERATED INCORRECTLY, USED IMPROPERLY OR MISUSED.**

**THE OPERATING INSTRUCTIONS WILL THEREFORE FAMILIARISE YOU WITH CORRECT USE OF THE COFFEE GRINDER AND ASSIST YOU TO AVOID WRONG OPERATIONS. IF THE ENCLOSED INSTRUCTIONS ARE FOLLOWED EXACTLY, YOU WILL AVOID DANGERS, REDUCE REPAIR AND STOPPAGE TIMES AND INCREASE THE RELIABILITY AND SERVICE LIFE OF YOUR UNIT.**

**TO ENSURE THAT YOU AND YOUR EMPLOYEES TAKE NOTICE OF THE CONTENTS OF THE OPERATING INSTRUCTIONS AND FOR YOUR OWN SAFETY, WE WOULD ASK YOU TO COMPLETE THE TRANSFER DECLARATION PRINTED ON THE FOLLOWING PAGE, DETACH THIS ALONG THE PERFORATION AND RETURN IT TO YOUR DEALER.**

## 1.2 Transfer declaration

### To ensure transfer of the operating instructions to final consumers

**Note:** The following declaration should be completed by the dealer and the purchaser. The purchaser undertakes to return this declaration to the dealer. The purchaser thereby certifies that the dealer has drawn his attention to the contents of operating instructions no. 64403, in particular to the relevant safety instructions for use of the machine.

64403 95/26

page 4 - 16

#### Transfer declaration

(1) Type Machine no.

(2) Address of customer

(3) The machine specified in (1) was purchased by me. The complete operating instructions were handed to me with transfer of the machine.

\_\_\_\_\_  
Signature of customer

\_\_\_\_\_  
Place / date

(4) Date of transfer

(5) Address of dealer/importer

\_\_\_\_\_  
Company stamp/signature

(6) The machine was handed to the customer in accordance with the guidelines of the manufacturer.

Company stamp/signature if not identical with (5)

\_\_\_\_\_  
Signature of customer service-  
specialist

\_\_\_\_\_  
Date

## 1.3 General safety instructions





- The operating instructions must be kept permanently at the place of operation of the machine and if possible attached at the point of installation in the immediate vicinity of the machine.
- The competent service personnel must have read the operating instructions before putting the coffee grinder into operation and be familiar with all functions including action in the event of a fault.
- Only original spare-parts must be used for repairs to the grinder. If spare-parts from other manufacturers are used, the serviceability of the grinder may be impaired. In addition, further injury to persons or material damage cannot be excluded.
- Only original grinding discs sharpened by DITTING must be used.
- Never reach into the hopper opening while the machine is running.
- Never touch electrical components with conducting objects, such as needles, pins, cutlery, etc. !
- The emission value referred to the workplace is 78,5 dB(A).
- Any modification to the setting of the motor protection switch must only be performed by a qualified electrician.
- The magnet in the hopper must not be removed.
- The machine must be electrically protected by fuses according to the nameplate and the local regulations.



## 1.3.1 Information and safety symbols

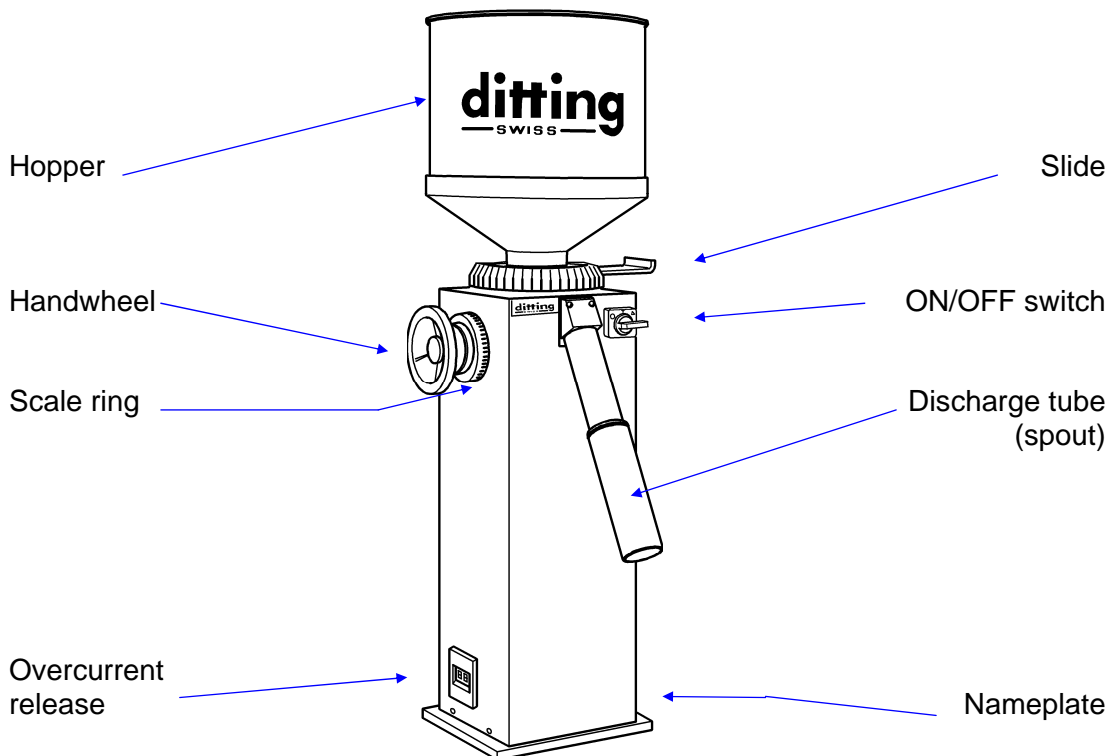
Two information symbols are used in these operating instructions to emphasise important comments in the text:

	<b>Information</b> This symbol indicates information containing important data concerning efficient use. Non-observance can lead to faults.
	<b>Safety</b> This symbol indicates information which if not observed can lead to danger to persons and/or substantial material damage. The safety instructions must be followed without fail.

## 2 Installation of coffee grinder

### 2.1 Description of unit

The **KF 1800** coffee grinder is suitable for grinding various kinds of coffee. The grinding fineness can be set fully variably with a handwheel. The **KF 1800** coffee grinder is suitable for use in roasting plants and coffee wholesaling businesses.



## 2.2 Installation information



The grinder must only be installed in dry areas!  
Screw the coffee grinder firmly to the floor. Before connecting the coffee grinder to the mains supply, ensure that this supply corresponds with the data on the unit nameplate.



As a protection against water and moisture the inside of the grinding housing may have been treated with special grease used by the foodstuffs industry. The protective film (grease) must be removed fully with a cloth before assembling and operating the coffee grinder.



The coffee grinder must only be connected to the mains supply by a qualified electrician.  
If the grinder is connected directly to the mains, a mains switch must be fitted by a qualified electrician which can be opened.

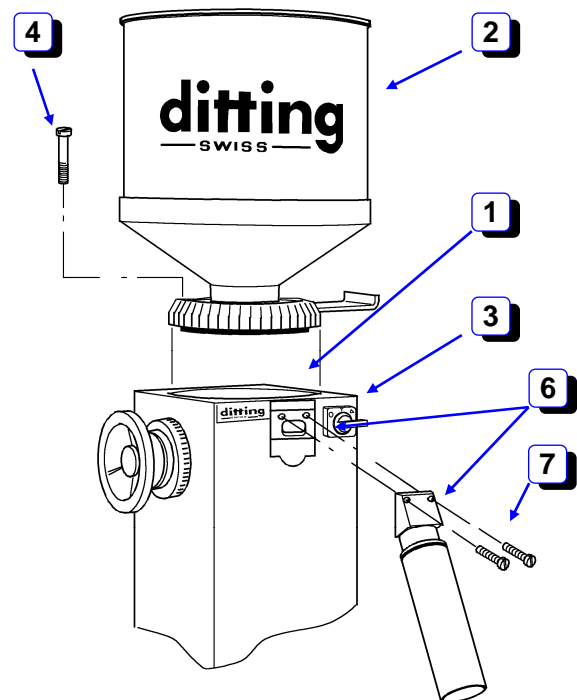
## 2.3 Assembly before using the first time



The initial assembly of the coffee grinder must be performed without fail in the sequence described and according to the following description.  
All supporting surfaces must be **absolutely clean** before assembly.

- The unit, comprising stationary disc flange (1) and hopper (2) is mounted on the grinding housing (3). The screws (4) provided for this purpose must be tightened evenly with the hex. spanner supplied.

Then screw discharge tube (6) to the front of the grinding housing (3) with screws (7).



- Switch on motor in steps: - first to 1st stage (Y star) and then to 2nd stage ( $\Delta$  delta).



When switching on the coffee grinder, never omit the 1st stage, since otherwise the overcurrent release of the motor protection switch will operate.



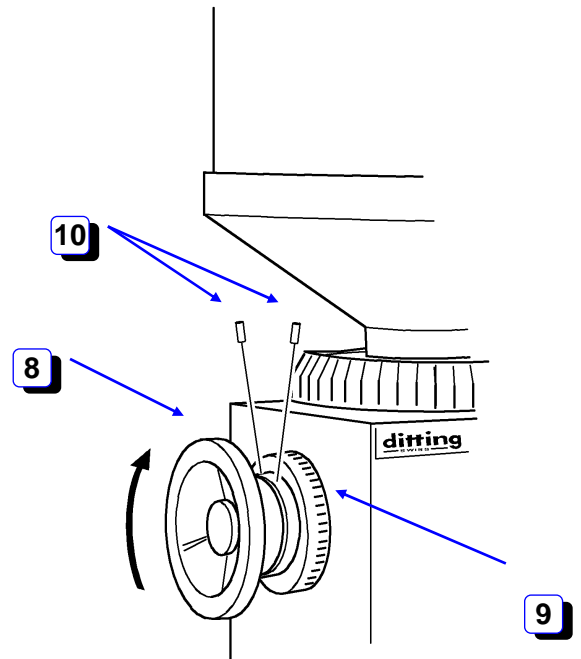
If the motor protection switch nevertheless operates, the following points should be followed:

- 1. Set ON/OFF switch to position 0.
- 2. Close motor protection switch again.
- 3. Switch on motor in steps with the ON/OFF switch.

- Fit handwheel with shaft **(8)** and scale ring **(9)**.

### 2.3.1 Basic setting (calibration)

- Turn handwheel **(8)** clockwise until the sound of grinding discs rubbing together can be heard. Turn scale ring **(9)** to stop (setting 1) and tighten one grub screw **(10)** slightly. Turn handwheel **(8)** back to position 10 of the scale ring. Release grub screw again, turn scale ring **(9)** to stop (setting 1) and tighten both grub screws firmly.



There must be **no sound** of grinding discs rubbing together at scale position 1 = excessive wear of grinding discs.



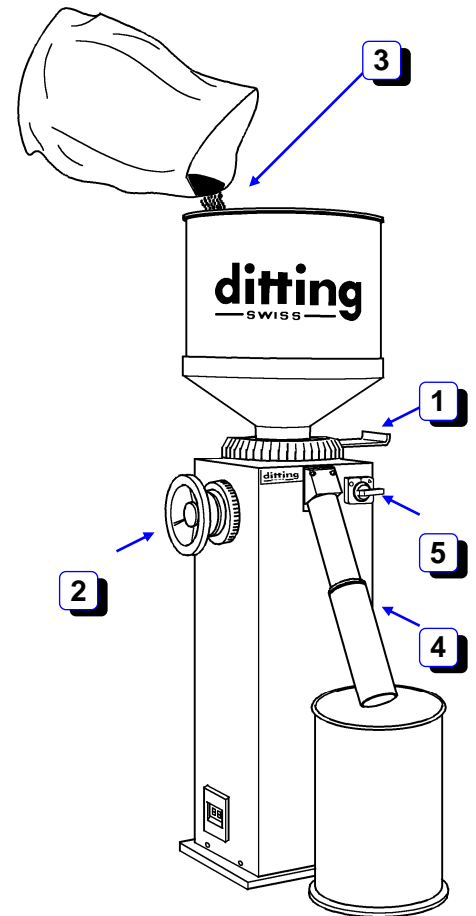
## 2.4 How to use the coffee grinder

- Close slide **(1)**.
- Set the required grinding fineness with handwheel **(2)** and according to scale.



For every adjustment of the grinding fineness the maximum possible scale setting 48 must be selected first and only then turned to the desired scale position.

- Empty coffee beans in hopper **(3)**.
- Place container under discharge tube **(4)**.
- Switch on motor in steps **(5)**: - first to 1st stage (Y star), then to 2nd stage (Δ delta).



When switching on the coffee grinder, never omit the 1st stage, since otherwise the overcurrent release of the motor protection switch will operate.



If the motor protection switch nevertheless operates, the following points should be followed:

- 1. Set ON/OFF switch to position 0.
- 2. Close motor protection switch again.
- 3. Switch on motor in steps with the ON/OFF switch.

- Open slide **(1)**.
- After completing grinding, close slide **(1)**, allow grinder to run empty and then switch off motor.



Only grind whole coffee beans!  
Coffee already ground must not be ground again!

## 3 Care / maintenance / adjustment

### 3.1 Care and cleaning of coffee grinder



The coffee grinder must only be cleaned with a dry cloth.  
Do not use an alkaline cleaning agent.  
Do not spray coffee grinder with water and/or steam.

Reason: It can result in a short-circuit and therefore damage to the unit. The use of alkalis can affect the flavour of the coffee.

The coffee grinder should be cleaned at least once weekly and always if soiled.



The coffee grinder must be disconnected from the mains supply before cleaning and maintenance.

### 3.2 Maintenance

If the grinding quality is no longer of the required standard, the grinding discs must be replaced.



Periodic checking of the grinding quality and grinding discs must only be performed by competent specialists and/or service personnel.

### 3.3 Scale setting (adjustment)

Setting of the scale (with the handwheel) makes the fineness of the ground coffee correspond with the fineness set on the scale.



Setting of the scale must only be performed by persons familiar with the unit after carefully reading the following instructions.

The basic setting *according to 2.3.1* should be made:

- following change of grinding discs
- following inadvertent displacement of the scale setting

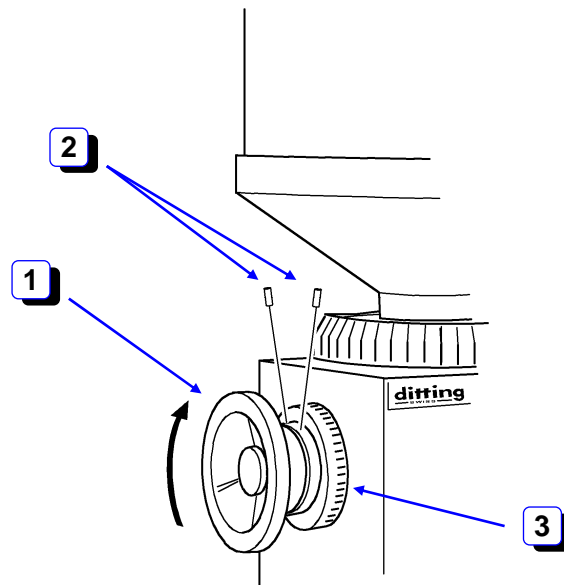


If the basic setting is incorrect, friction can occur between the grinding discs, resulting in excessive wear.

## 3.3.1 Increasing the grinding disc clearance

An increase of the grinding disc clearance is necessary if generally coarser grinding is required.

- First set handwheel (1) to scale position 48- and then turn clockwise to the new grinding fineness required.
- Release the two grub screws (2) on scale ring (3) and turn scale ring (without handwheel) to the stop, i.e. setting 1.
- Tighten the two grub screws firmly.



There must be **no sound** of grinding discs rubbing together at scale position 1 = excessive wear of grinding discs.

## 3.3.2 Reducing the grinding disc clearance

A reduction of the grinding disc clearance is necessary if, for example, the discs have become worn after a certain time.

- Switch on motor in steps: - first to 1st stage (Y star) and then to 2nd stage ( $\Delta$  delta).



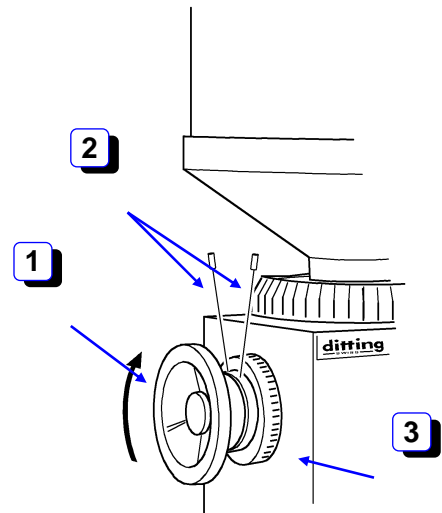
When switching on the coffee grinder, never omit the 1st stage, since otherwise the overcurrent release of the motor protection switch will operate.



If the motor protection switch nevertheless operates, the following points should be followed:

- 1. Set ON/OFF switch to position 0.
- 2. Close motor protection switch again.
- 3. Switch on motor in steps with the ON/OFF switch.

- Release the two grub screws (2) on scale ring and turn handwheel (1) clockwise until the sound of grinding discs rubbing together can be heard. Turn scale ring (3) to stop (setting 1) and tighten one grub screw (2) slightly. Turn the handwheel (1) back approx. 10 divisions measured on the scale. Release grub screw again, turn scale ring (3) to stop (setting 1) and tighten both grub screws firmly.



There must be **no sound** of grinding discs rubbing together at scale position 1 = excessive wear of grinding discs.

- Switch off motor.

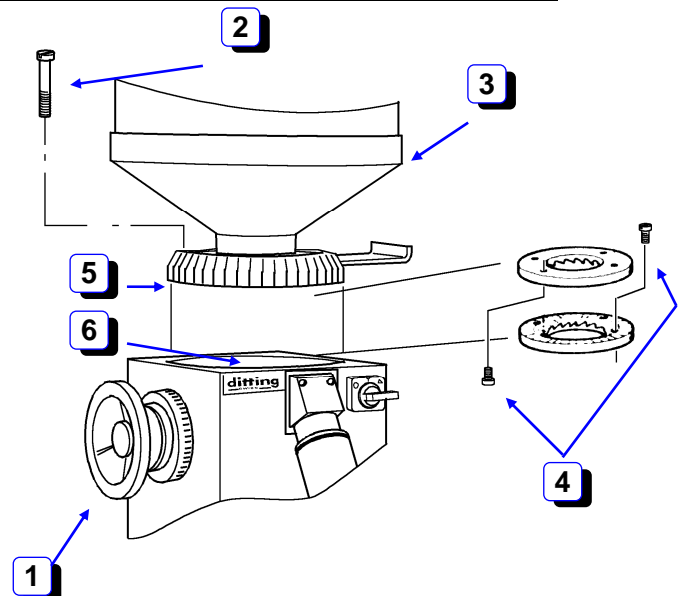
### 3.4 Replacing grinding discs



Before changing grinding discs **switch off motor** without fail and **disconnect power cable!**

The grinding discs must only be replaced by persons familiar with operation of the machine according to the following instructions.

- Switch off motor and pull out power cable. Turn handwheel (1) to coarse grinding scale position 48.
- Release screws (2) with socket spanner supplied and remove stationary disc flange with hopper (3). Microswitch interrupt live circuit.
- The worn grinding discs can then be replaced by releasing screws (4) on the stationary and rotating disc flange (5 + 6).



All supporting (mating) surfaces of stationary disc flange, rotating disc flange, grinding discs and grinding case must be **absolutely clean** before assembly. Only in this way can perfect grinding be guaranteed.

- Screw **new grinding discs** to the cleaned stationary and rotating disc flanges (**5 + 6**).
- For **resharpened grinding discs** the shims if supplied should be inserted between grinding disc and flange.
- Then re-assemble parts in reverse sequence.
- Plug in power cable, switch on coffee grinder briefly, 1st stage only (**Y star**). If it blocks or there is a sound of metal parts rubbing together, the grinding disc clearance must be increased *according to 3.3.1*.
- Perform basic setting *according to 2.3.1*.

## 4 Faults / action

### 4.1 Action in event of a fault



The grinder must only be opened, inspected and dismantled by persons familiar with the method of operation of the machine, who have previously read these operating instructions through carefully.

#### 4.1.1 Table with possible malfunctions

<b>Fault</b>	<b>Result</b>	<b>Action (information text)</b>	<b>Re.</b>
Grinder cannot be switched on	Overcurrent release is operated	Check power cable, connection and building fuses, close motor protection switch again.	
	Microswitch is interrupt	Check Microswitch	
Grinder jams, motor does not start	Overcurrent release is operated	Unblock discharge tube Unblock grinding unit Close motor protection switch again	4.2.2 4.2.1
Irregular grinding		Check grinding discs for wear and replace if necessary	3.4
Increased amount of dust		Check grinding discs for wear and replace if necessary	3.4

## 4.2 Repairs



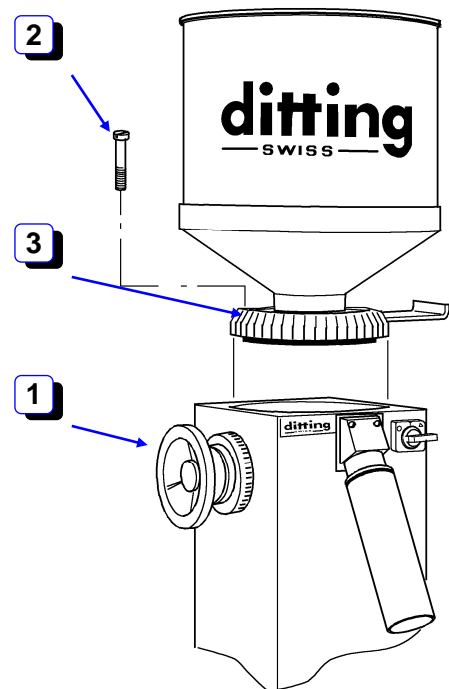
**Switch off motor and pull out power cable** before all major repairs requiring work inside the machine, in order to avoid danger of injury while working on motor while running and electric shock!



The electrical wiring diagram for this unit is enclosed in the Appendix of this operating manual, section A1.

### 4.2.1 Unblocking grinding unit

- First turn handwheel **(1)** to coarse grinding (scale position 48) and switch on motor briefly, 1st stage only (Y star). This frequently unblocks the grinder and extracts any foreign bodies in the grinding unit.
- If the grinder is still blocked, **switch off motor** and **withdraw power cable**.
- Release screws **(2)** with socket spanner supplied and remove stationary disc flange with hopper **(3)**. Microswitch interrupt live circuit.
- Remove foreign bodies. Check grinding discs for possible damage. If these are damaged, continue according to 3.4.

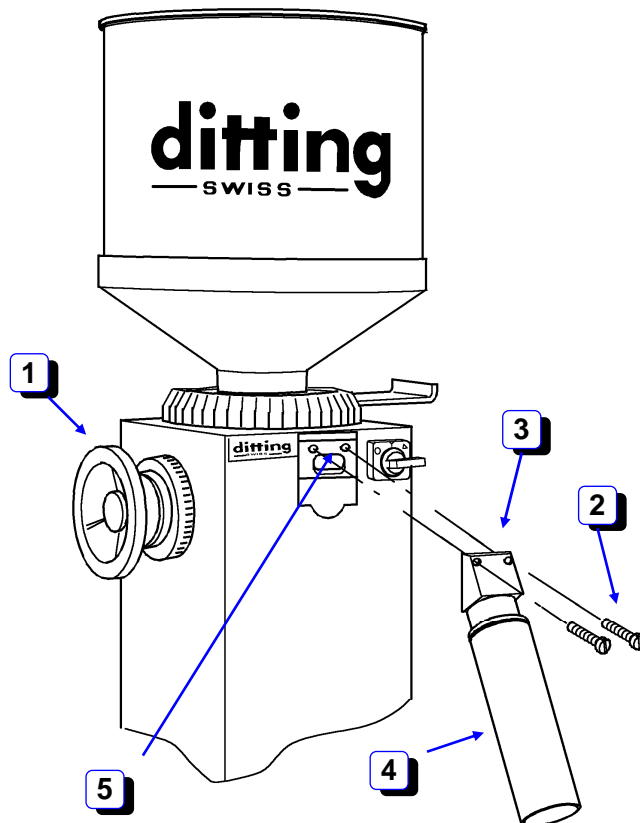


All supporting surfaces of stationary disc flange, rotating disc flange, grinding discs and grinding case must be **absolutely clean** before assembly. Only in this way can perfect grinding be guaranteed.

- Then re-assemble parts in reverse sequence.
- Plug in power cable, switch on coffee grinder briefly, 1st stage only (Y star). If it blocks or there is a sound of metal parts rubbing together, the grinding disc clearance must be increased *according to 3.3.1*
- Perform basic setting *according to 2.3.1*.

## 4.2.2 *Unblocking discharge tube*

- First turn handwheel **(1)** to coarse grinding (scale position 48) and switch on motor briefly, 1st stage only (Y star). This frequently unblocks the grinder and extracts any foreign bodies in the grinding unit.
- If the grinder is still blocked, **switch off motor** and **withdraw power cable**.
- Release screws **(2)** of the discharge casing and eliminate the blockage in the spout (discharge) **(3)** and outlet pipe **(4)**.
- Ensure without fail before assembly that the supporting surfaces of spout **(3)** and grinding housing **(5)** are absolutely clean and lie flat. The ground coffee can only run through the spout in an optimum form in this way.
- Then re-screw spout **(3)** to the grinding housing **(5)**.
- Connect power cable to mains supply again.



## 5 Customer service

If it is found during maintenance that the grinding discs must be resharpened/replaced or other repairs must be made, the nearest service centre (see page 1) should be contacted or direct connection made with the factory.

New grinding discs, spare-parts and accessories (also at intermediate times) can be ordered from our customer service or the relevant agent.

**The grinding discs can be resharpened  
once or twice at the factory.**

**Data** such as **manufacturing number** and type of **power supply** as specified on the nameplate of the coffee grinder should be stated on orders for grinding discs, spare-parts and accessories to ensure rapid and efficient advice and delivery.

### **Ditting Maschinen AG**

Bramenstrasse 11  
P.O. Box 241  
CH-8184 Bachenbülach  
Switzerland

Phone: +41 44 864 18 00  
Fax: +41 44 864 18 01  
e-mail: [info@dittingswiss.ch](mailto:info@dittingswiss.ch)  
[www.dittingswiss.ch](http://www.dittingswiss.ch)

Subject to technical modification.